

TEN64

Arm® 64bit uCPE

traverse
technologies



**8 Core, 64Bit ARM® A53 Universal CPE /
Network Router Appliance**

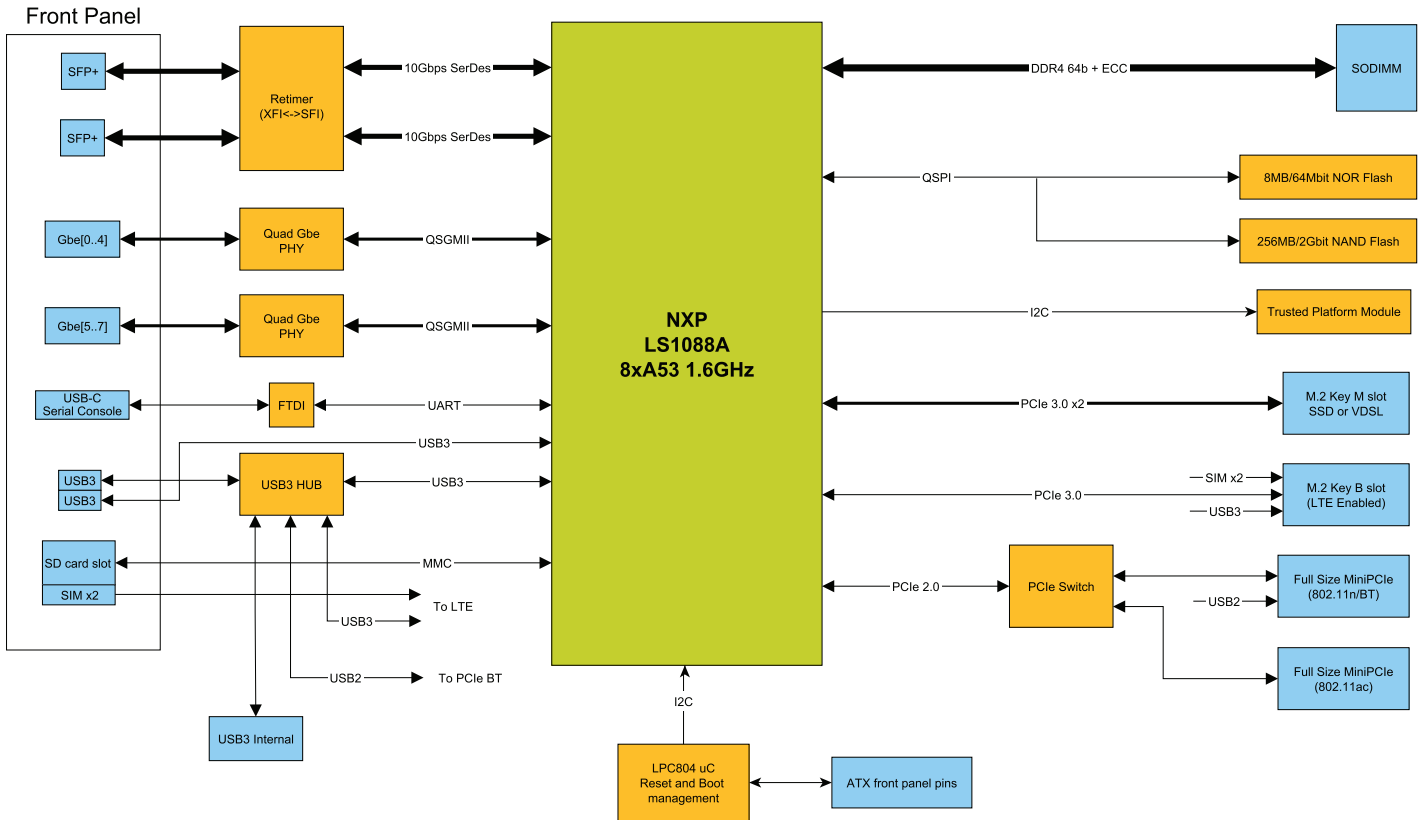
KEY FEATURES

- ✓ 8 Core, 64bit NXP LS1088A
- ✓ 10x ethernet ports – 8x 1Gbps, 2x10Gbps SFP+
- ✓ DPAA2 (Data Plane Acceleration Architecture Gen2)
- ✓ DDR4 ECC DRAM up to 32GB
- ✓ Supports PCIe 3.0 / NVMe SSDs
- ✓ Supports 5G and LTE cellular modems
- ✓ Supports 2x PCIe slots for WiFi, SATA or AI acceleration cards
- ✓ Internal A/VDSL Option

TECHNICAL SPECIFICATIONS

CPU	NXP Layerscape LS1088A 8x A53 Cores DPAA2 Security Engine (SEC)	Onboard Peripherals	Real Time Clock (RTC) Temperature Sensors (CPU and PCB) Voltage Monitor : Vin, 5V, 3.3V, CPU,DDR Current Monitor : 5V, 3.3V, CPU, WiFi
External Interfaces	8x Ethernet 10/100/1000 Mbps 2x Ethernet 10Gbps (SFP+) 2x USB 3.0 Combo SD/SIM card slot USB Console port	PSU	12VDC, 5A / 2.5mm barrel
Internal Interfaces	2x MiniPCIe M.2 5G/LTE slot (52/42mm) with dual SIM M.2 Key-M slot for SSD or VDSL module USB 3.0 GPIO Header ITX Header	Temp Range	0 to 50° C
Memory	DDR4 64bit SO-DIMM with ECC (Max 32GB) 8MB NOR Flash 256MB NAND Flash	Linux Kernel	5.0 and later
		Linux Distributions	Debian, SuSE Enterprise Linux*, OpenWRT BSP available for other distributions on request
		DSL Support	ADSL/2/2+ Annex A/M VDSL2 Vectoring Profiles 8,12,17a,35b
		Unit Dimensions	200 x 200 x 45mm
		Package Dimensions	245 x 235 x 115mm

BLOCK DIAGRAM



ORDERING INFORMATION

Model	SKU	Description
Bare Bones	1064-BB	NXP LS1088 (8C/8T) Fan Desk Top, 2x 10Ge SFP+, 8x Gbe RJ45, USB Console port, 60W PSU
TEN64	1064-xG-SSD	NXP LS1088 (8C/8T) Fan Desk Top, ECC DDR4, 256GB M.2 SSD, 2x 10Ge SFP+, 8x Gbe RJ45, USB Console port, 60W PSU
TEN64-W	1064-xG-SSD-AC	NXP LS1088 (8C/8T) Fan Desk Top, ECC DDR4, 256GB M.2 SSD, 2x 10Ge SFP+, 8x Gbe RJ45, USB Console port, 60W PSU, 3x3 802.11ac WiFi
TEN64-5G	1064-xG-SSD-5G	NXP LS1088 (8C/8T) Fan Desk Top, ECC DDR4, 256GB M.2 SSD, 2x 10Ge SFP+, 8x Gbe RJ45, USB Console port, 60W PSU, 4x4 5G Modem (Sub 6GHz).
Memory Options	xG	One of 4G, 8G, 16G and 32G ECC DDR4 Other configurations available on request

APPROVALS

CE	Safety EMC Immunity	IEC 62368-1: 2014 CISPR 32:2015 CISPR 35:2016*
FCC	EMC	FCC Part 15B
RCM	Safety EMC	AS/NZS 62368.1:2018 AS/NZS CISPR 32:2015

Traverse Technologies

160 Holden Street, Fitzroy North
Victoria 3068 Australia

www.traverse.com.au

Tel +61 3 9489 6678
sales@traverse.com.au